



APPLICATIONS

- Flow Switch for signal Alarm
- Indication or Control for level measurement
- Suitable for water , oil and chemical environments

FEATURES

- Multi-point measurement with a float by adoption of "Self Holding System"
- Reed Switch contact
- Protection sheath material AISI304 or AISI316
- Float material: AISI316
- Flange material: AISI304 or AISI316
- Die Cast Aluminium head TYPE B or connector DIN EN 175301-0803

SPECIFICATIONS

- Max contact rating is 50VA AC
- Max switching voltage is 250V AC
- Max switching current is 0.5A
- Working Temperature -30C to 80C



FL2

DRAWING & ELECT. CONNECTION

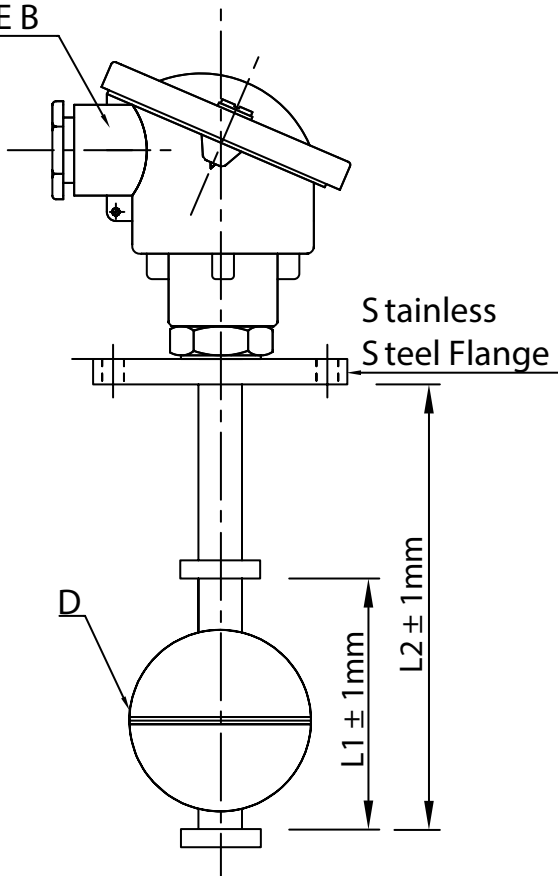


ANALYSIS LTD

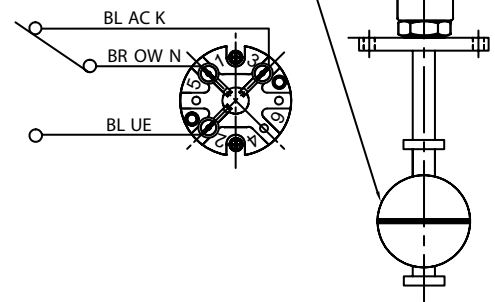
DRAWING OF FL2-B (ALUMINIUM HEAD TYPE B)

ELECTRICAL CONNECTION

HEAD TYPE B



FL O A T A T T H I S P O S I T I O N

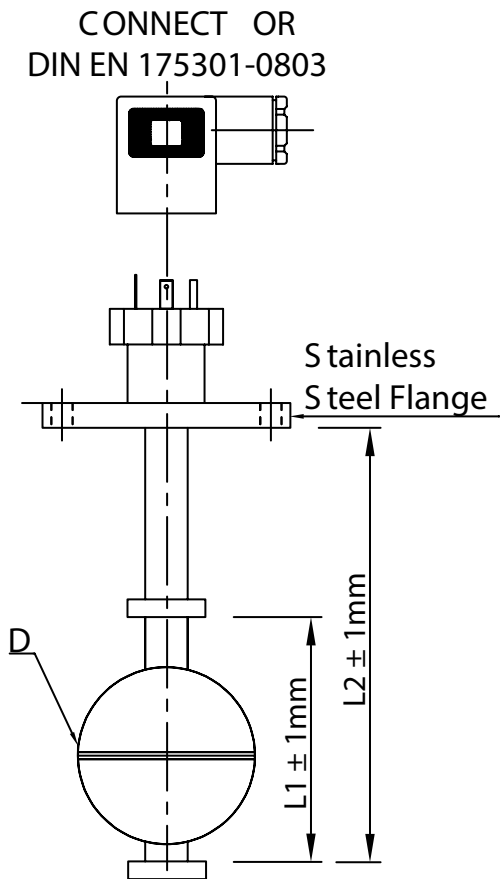


FL2

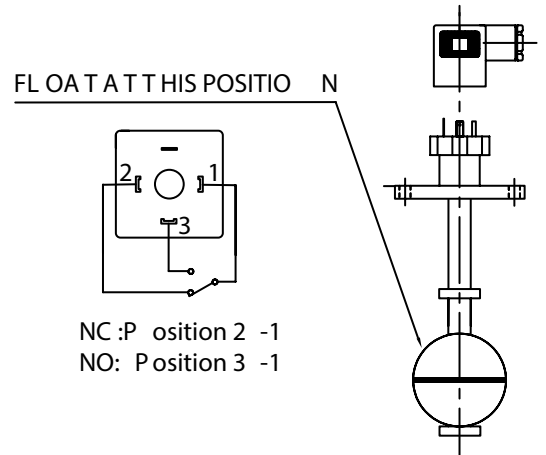
DRAWING & ELECT. CONNECTION



DRAWING OF FL2-C (CONNECTOR DIN EN 175301-0803)



ELECTRICAL CONNECTION



FL2

ORDER CODE



ANALYSIS LTD

ORDER CODE FOR FL2

FORM

DIE CAST ALUMINIUM HEAD TYPE B
CONNECTOR DIN EN 175301-0803

B
C

FLANGE

10K JIS size 40 (material AISI304)
DIN2526 PN16 size 25 (material AISI316)
OTHER FLANGE ON REQUEST

10KJIS40
PN16S25
XXX

FLANGE MATERIAL

AISI 304
AISI 316

4
6

LENGTH L 1[mm ±1]

100mm
OTHER LENGTH L1[mm] ON REQUEST

100
XXX

LENGTH L2[mm ±1]

200mm
OTHER LENGTH L2[mm] ON REQUEST

200
XXX

PROTECTION SHEATH MATERIAL

AISI 304
AISI 316

4
5

DIAMETER D[mm]

-50mm
OTHER DIAMETER D[mm] ON REQUEST

50
XXX

ORDERING EXAMPLE: FL2-B-10KJIS40-4-100-200-4-50

Delta Velestino, 375 00 Magnesia, Greece tel. 0030 2425024248

www.analysis-ltd.com.gr

Version: FL2.1.19-02-17

Analysis Ltd can accept no responsibility for errors in datasheets, catalogues and other electronic or printed materials. Analysis Ltd reserves the right to change specifications without notice. All trademarks in this material are property of Analysis Ltd. Copyright© 2017 Analysis Ltd. All rights reserved.



Certificate No: PIR6046243

Analysis Ltd applies a certified ISO: 9001 quality management system.