

## APPLICATIONS

- Food Industry
- Industrial applications
- Laboratory applications

## FEATURES

Reliable and accurate measurement with thermoresistance (RTD) element, single or double. Class B / Class A / Class 1/3DIN

Reliable and accurate measurement with thermocouple element, single or double

Protection sheath material AISI304 / AISI316 / AISI 316Ti with a wide range of diameters

Wide range of cables:

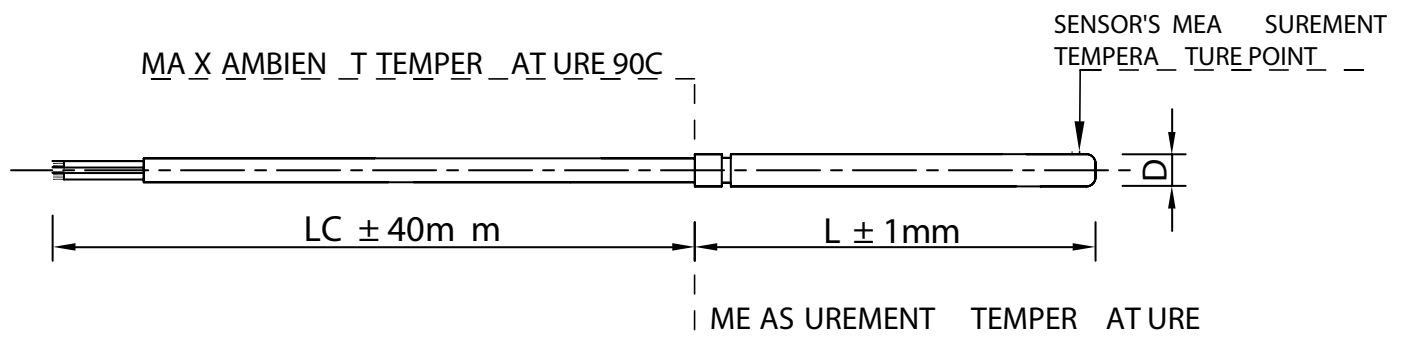
- PVC / PVC (-10C to 105C)
- Silicon / Silicon (-60C to 200C)
- PTFE / PTFE (-10C to 260C)
- PTFE / PTFE / Screen (-10C to 260C)
- PTFE / Screen / PTFE (-10C to 260C)
- Glass Fiber / Glass Fiber / Screen (0C to 400C)

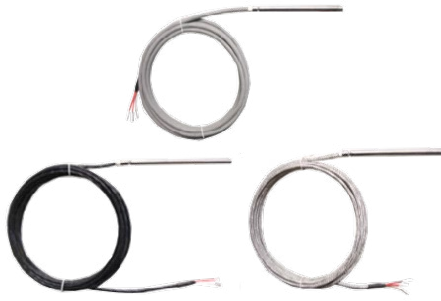
Max ambient temperature 90C



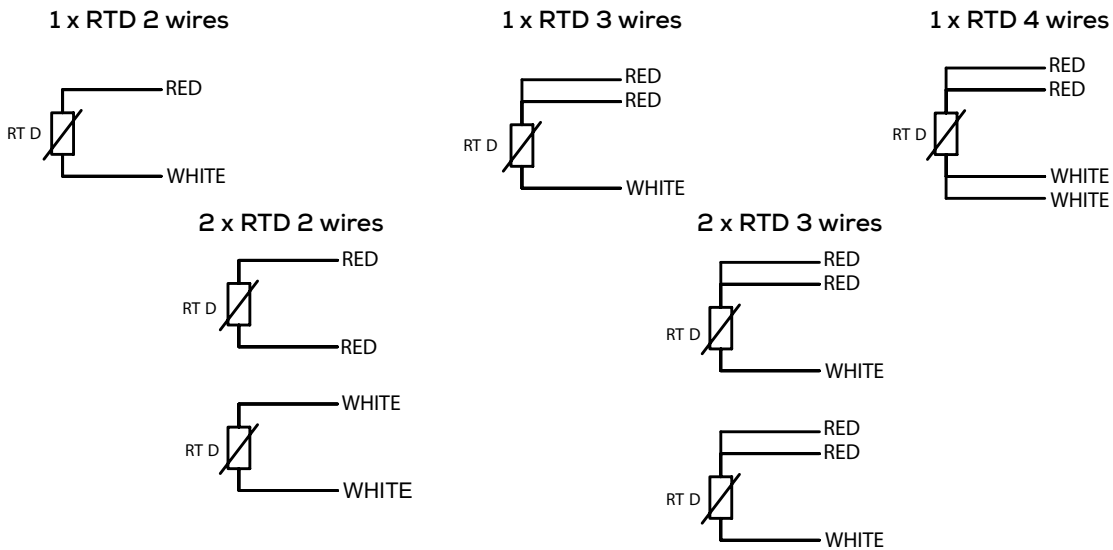


TSC: Temperature sensor with cable

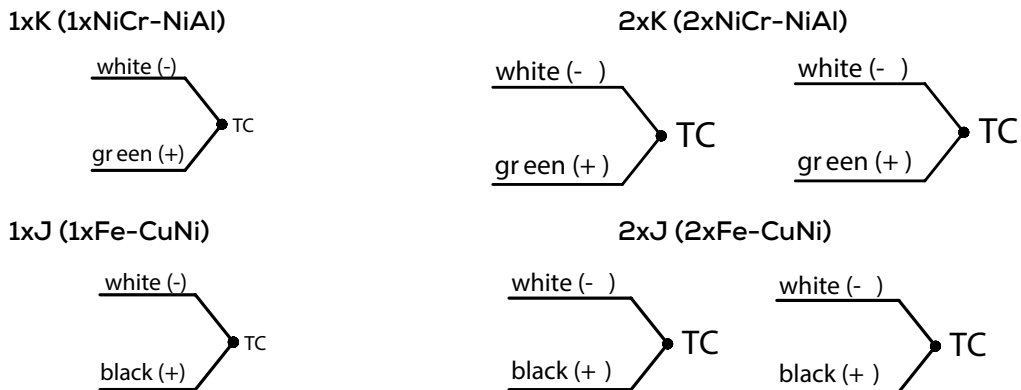




### Thermoresistance. Cable Color code according to DIN EN 60751

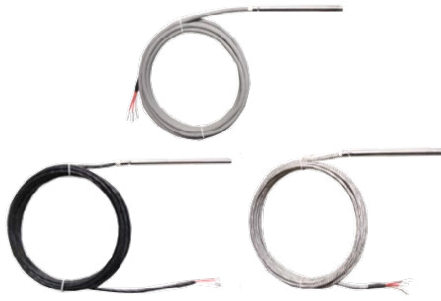


### Thermocouple. Color code according to EN 60584-1



# TSC

## ORDER CODE



# ANALYSIS LTD

### ORDER CODE FOR TSC

#### SENSOR ELEMENT: THERMORESISTANCE (RTD) OR THERMOCOUPLE

1xPT100 - 2 Wires DIN EN 60751	1								
1xPT100 - 3 Wires DIN EN 60751	2								
1xPT100 - 4 Wires DIN EN 60751	3								
2xPT100 - 2 Wires DIN EN 60751	4								
2xPT100 - 2 Wires DIN EN 60751	5								
1xPT1000 - 2 Wires DIN EN 60751	6								
1xPT1000 - 3 Wires DIN EN 60751	7								
1xPT1000 - 4 Wires DIN EN 60751	8								
2xPT1000 - 2 Wires DIN EN 60751	9								
2xPT1000 - 3 Wires DIN EN 60751	10								
1xTYPE K (NiCr-NiAl) Class 1 EN60584-1	1K								
2xTYPE K (NiCr-NiAl) Class 1 EN60584-1	2K								
1xTYPE J (Fe-CuNi) Class 1 EN60584-1	1J								
2xTYPE J (Fe-CuNi) Class 1 EN60584-1	2J								

#### PROTECTION SHEATH MATERIAL

AISI 304						4			
AISI 316						6			
AISI 316Ti						6T			

OTHER PROTECTION SHEATH MATERIAL ON REQUEST

#### RTD CLASS [For thermoresistance elements]

Class B								B	
Class A								A	
Class 1/3DIN								13	

#### DIAMETER D [mm]

4.0								4	
5.0								5	
6.0								6	
6.35								6.35	
7.0								7	
8.0								8	

OTHER DIAMETER D[mm] ON REQUEST

#### LENGTH L[mm ±1]

From 200mm to 1000mm								---	
OTHER LENGTH L[mm] ON REQUEST								XXX	

#### CABLE LENGTH LC[mm ±40]

From 500mm to 10.000mm								---	
OTHER CABLE LENGTH LC[mm] ON REQUEST								XXX	

#### CABLE MATERIAL

PVC/PVC (-10C to 105C)									PV
Silicon / Silicon (-60C to 200C)									SS
PTFE/PTFE (-60C to 260C)									PT
PTFE/PTFE/Screen (-60C to 260C)									PPS
PTFE/Screen/PTFE (-60C to 260C)									PSP
Glass Fiber/Glass Fiber/Screen (0C to 400C)									GF
OTHER CABLE MATERIAL ON REQUEST									XXX

ORDERING EXAMPLE: TSC-3-4-B-5-100-2000-PT

[www.analysis-ltd.com.gr](http://www.analysis-ltd.com.gr)

Version: TSC.1.19-02-17

Delta Velestino, 375 00 Magnesia, Greece tel. 0030 2425024248

Analysis Ltd can accept no responsibility for errors in datasheets, catalogues and other electronic or printed materials. Analysis Ltd reserves the right to change specifications without notice. All trademarks in this material are property of Analysis Ltd. Copyright© 2017 Analysis Ltd. All rights reserved.



Certificate No: PIR6046243

Analysis Ltd applies a certified ISO: 9001 quality management system.