

### APPLICATIONS

Frozen food industry  
 Frozen food transportation

### FEATURES

Reliable and accurate measurement with thermoresistance (RTD) element. Class B / Class A / Class 1/3DIN

Reliable and accurate measurement with thermocouple element

Heavy duty Pencil penetration probe

Protection sheath material AISI 304 / AISI316

Wide range of diameter

Stainless steel hand held for heady duty applications

Working temperature range: -200C to 200C

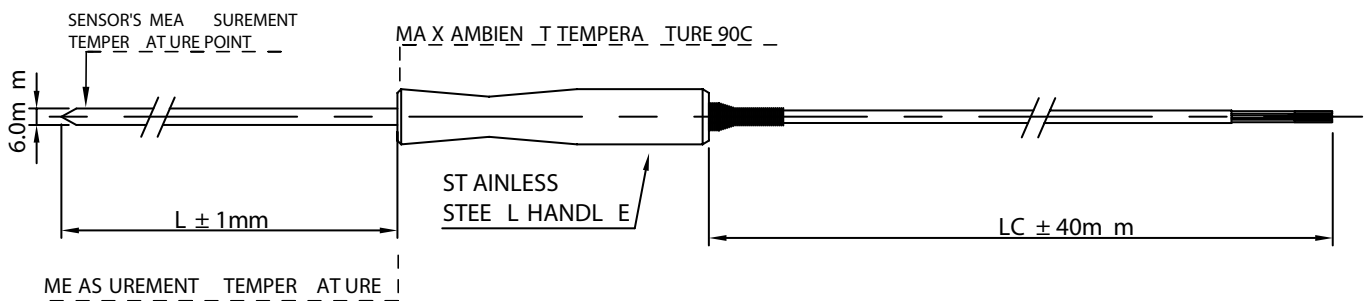
Cables material: PTFE / PTFE (-10C to 260C)

Max ambient temperature 70C





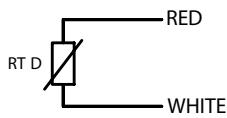
HHS3: Hand held Temperature sensor with STAINLESS STEEL hand held



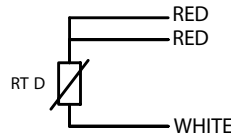


Cable: Thermoresistance. Color code according to DIN EN 60751  
 Thermocouple Color code according to EN 60584-1 / MINI Plug TYPE K

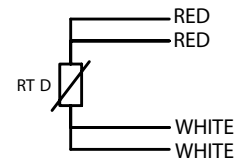
1 x RTD 2 wires



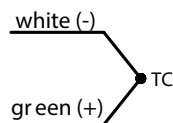
1 x RTD 3 wires



1 x RTD 4 wires

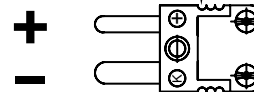


1xK (1xNiCr-NiAl)



Mini Plug TYPE K

PLUG  
MINIATURE



# HHS3

## ORDER CODE

# ANALYSIS LTD



### ORDER CODE FOR HHS3

#### SENSOR ELEMENT: THERMORESISTANCE (RTD) OR THERMOCOUPLE

1xPT100 - 2 Wires DIN EN 60751	1				
1xPT100 - 3 Wires DIN EN 60751	2				
1xPT100 - 4 Wires DIN EN 60751	3				
1xPT1000 - 2 Wires DIN EN 60751	6				
1xPT1000 - 3 Wires DIN EN 60751	7				
1xPT1000 - 4 Wires DIN EN 60751	8				
1xTYPE K (NiCr-NiAl) Class 1 EN60584-1	1K				

#### PROTECTION SHEATH MATERIAL

AISI 304		4			
AISI 316		5			
OTHER PROTECTION SHEATH MATERIAL ON REQUEST		XX			

#### RTD CLASS [For thermoresistance elements]

Class B			B		
Class A			A		
Class 1/3DIN			13		

#### MINI PLUG TYPE K [For thermocouple elements]

WITH MINI PLUG TYPE K				Y	
WITHOUT MINI PLUG TYPE K				N	

#### DIAMETER D[mm]

6.0mm				6	
8.0mm				8	
OTHER DIAMETER D[mm] ON REQUEST				XX	

#### LENGTH L[mm ±1]

From 50mm to 300mm					---
OTHER LENGTH L[mm] ON REQUEST					XX

#### CABLE LENGTH LC[mm ±40]

From 500mm to 10.000mm					---
OTHER CABLE LENGTH LC[mm] ON REQUEST					XX

#### CABLE MATERIAL [For temperature sensors with cable]

PTFE/PTFE (-60C to 260C)					PT
OTHER CABLE MATERIAL ON REQUEST					XX

ORDERING EXAMPLE: HHS3-2-4-A-6-120-2-PT

Delta Velestino, 375 00 Magnesia, Greece tel. 0030 2425024248

[www.analysis-ltd.com.gr](http://www.analysis-ltd.com.gr)

Version: HHS3.1.19-02-17

Analysis Ltd can accept no responsibility for errors in datasheets, catalogues and other electronic or printed materials. Analysis Ltd reserves the right to change specifications without notice. All trademarks in this material are property of Analysis Ltd. Copyright© 2017 Analysis Ltd. All rights reserved.



Certificate No: PIR6046243

Analysis Ltd applies a certified ISO: 9001 quality management system.