

APPLICATIONS

Digital PID Temperature Controller for:

- Industrial applications
- Laboratory applications etc

FEATURES

Wide range of Size:

- A48 Model: with dimensions 48mm*48mm
- A49 Model: with dimensions 48mm*96mm
- A72 Model: with dimensions 72mm*72mm
- A96 Model: with dimensions 96mm*96mm
- A94 Model: with dimensions 96mm*48mm

Power supply: 85-265VAC, 50/60Hz or 24VDC

Power consumption: 5VA (max)

Display: Dual display, 4 digits, 7 segments LED display

Control method: P, PID, PI, PD, ON/OFF (P=0)

Control action: Reverse (heating) or direct (cooling), Reverse+direct (heating+cooling)

Input: Universal Input.

- Thermocouple (K, J, N, S, T, R, B)
- Pt100 (up to 800C)
- Voltage and current (0...5VDC, 0...10VDC, 1...5VDC, 4...20mA, 0...20mA)

Output:

- Relay (10A / 220VAC)
- SSR (12VDC 5mA max)
- Current output (4...20mA/0...10V)

Measuring accuracy: 0.5% F.S

C or F display selection on user's discretion

Alarm output: 1 alarm / 2 alarms

Ambient temperature: 0...50C



www.analysis-ltd.com.gr

Version: A-SER.1.19-02-17

Delta Velestino, 375 00 Magnesia, Greece tel. 0030 2425024248

Analysis Ltd can accept no responsibility for errors in datasheets, catalogues and other electronic or printed materials. Analysis Ltd reserves the right to change specifications without notice. All trademarks in this material are property of Analysis Ltd. Copyright© 2017 Analysis Ltd. All rights reserved.

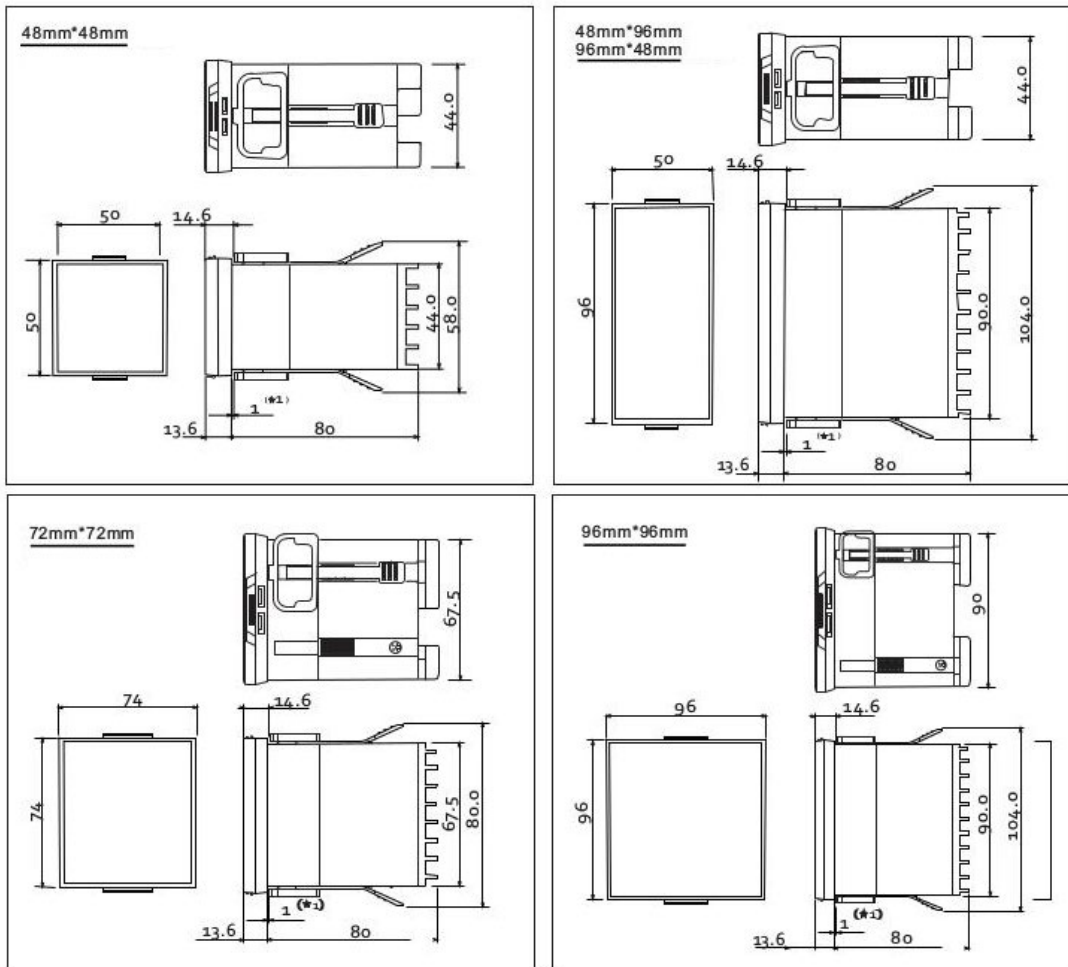


Certificate No: PIR6046243

Analysis Ltd applies a certified ISO: 9001 quality management system.

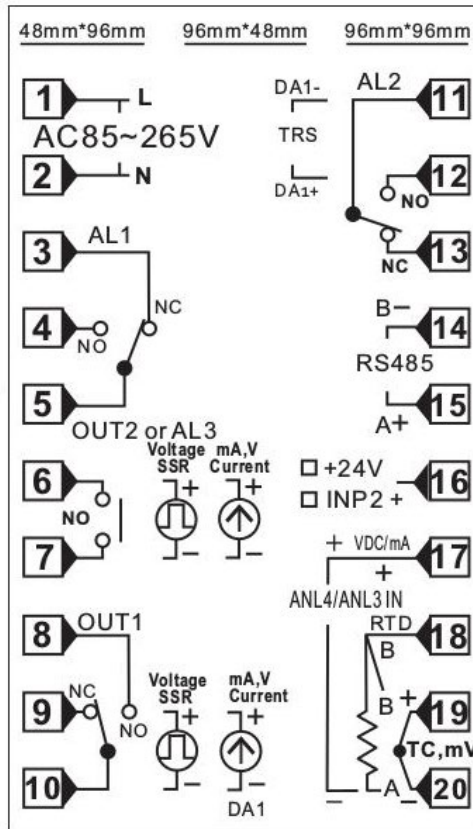
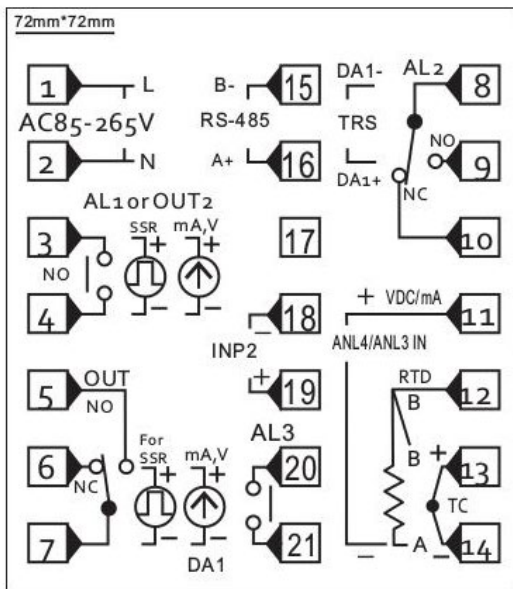
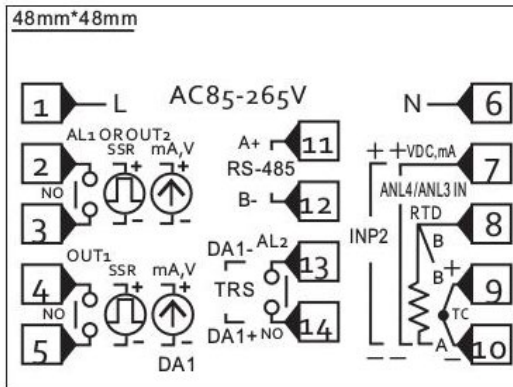


PID CONTROLLERS A-SERIES: MOUNTING SIZE





PID CONTROLLERS A-SERIES: WIRING





ORDER CODE FOR PID CONTROLLERS A-SERIES

SIZE									
48mmX48mm		A-48							
48mmX96mm		A-49							
72mmX72mm		A-72							
96mmX96mm		A-96							
96mmX48mm		A-94							
OUTPUT 1									
RELAY				R					
SSR drive				V					
4...20mA				D					
OUTPUT 2									
RELAY					R				
SSR drive					V				
4...20mA									
ALARM									
1 alarm output (for size 48mmX48mm 1 alarm)							1		
2 alarms output							2		
POWER SUPPLY									
85-265VAC, 50/60Hz 24VDC								96	
24VDC								24	
AUXILIARY POWER SUPPLY									
24VDC									1
WITHOUT AUXILIARY POWER SUPPLY									N
PV or SV Re-transmission Output									
without PV or SV re-transmission									N
PV retransmission as 4...20mA									P42
PV retransmission as 0...5VDC									P005
PV retransmission as 0...10VDC									P010
SV retransmission as 4...20mA									S42
SV retransmission as 0...5VDC									S005
SV retransmission as 0...10VDC									S010

ORDERING EXAMPLE: A-48-R-R-1-96-N-N

Delta Velestino, 375 00 Magnesia, Greece tel. 0030 2425024248

Analysis Ltd can accept no responsibility for errors in datasheets, catalogues and other electronic or printed materials. Analysis Ltd reserves the right to change specifications without notice. All trademarks in this material are property of Analysis Ltd. Copyright© 2017 Analysis Ltd. All rights reserved.

www.analysis-ltd.com.gr

Version: A-SER.1.19-02-17



Certificate No: PIR6046243

Analysis Ltd applies a certified ISO: 9001 quality management system.