



APPLICATIONS

Elevators
Lifting machines
Industry applications

TECHNICAL SPECIFICATIONS

Normally open contact
Max Contact Rating: 60VA
Max Switching Voltage: 250VDC / 250VAC
Max Switching Currnt: 3A

TECHNICAL FEATURES

Min insulation resistance: 10^{11} Ohm
Typ. resonant frequency: 180Hz
Working temperature: -30C to 90C

SPECIFICATIONS OF MATERIAL

Housing material: P.A.
Cable material: PVC / Cable section: 2x0.50mm²
Cable length: 850mm or 2000mm

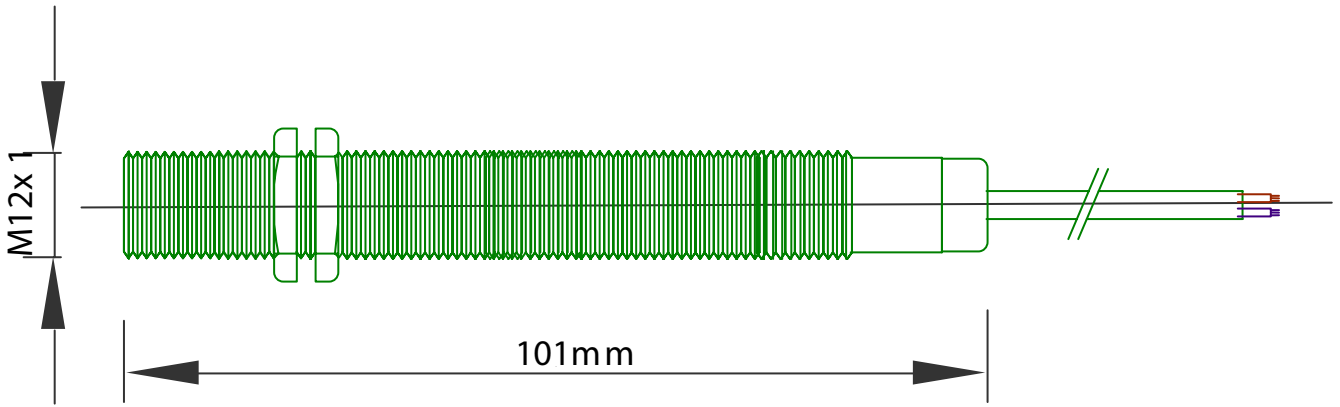
MS10 60 3A

DRAWINGS

ANALYSIS LTD



PROXIMITY MAGNETIC SWITCH MS10 60 3A (NORMALLY OPEN)



MS10 60 3A

ELECTRICAL CONNECTION

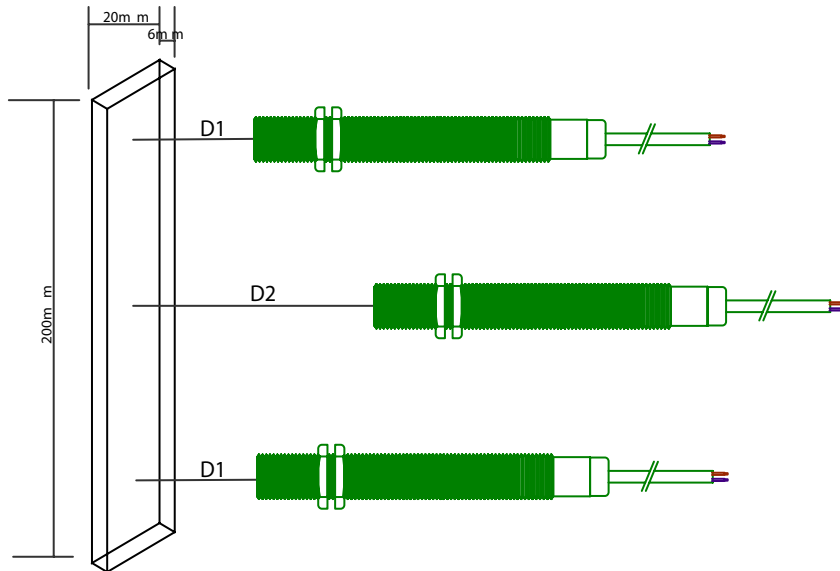
ANALYSIS LTD



NORMALLY OPEN CONTACT



OPERATION DISTANCES OF MS10 60 3A N.O. FROM PLASTOFERITTE WITH DIMENSIONS 200x20x6mm



D1: from 22mm to 25mm
D2: from 27mm to 34mm

MS10 60 3A

ORDER CODE

ANALYSIS LTD



ORDER CODE FOR MS10 60 3A N.O.

PROXIMITY MAGNETIC SWITCH MS10 60 3A NO
LENGTH OF CABLE

850mm
2000mm

850
2000

ORDERING EXAMPLE: MS10 60 3A-850

Delta Velestino, 375 00 Magnesia, Greece tel. 0030 2425024248

www.analysis-ltd.com.gr

Version: MS10603A.1.19-02-17

Analysis Ltd can accept no responsibility for errors in datasheets, catalogues and other electronic or printed materials. Analysis Ltd reserves the right to change specifications without notice. All trademarks in this material are property of Analysis Ltd. Copyright© 2017 Analysis Ltd. All rights reserved.



Analysis Ltd applies a certified ISO: 9001 quality management system.

Certificate No: PIR6046243