



APPLICATIONS

Elevators
Lifting machines
Industry applications

TECHNICAL SPECIFICATIONS

Normally closed contact
Max Contact Rating: 30VA
Max Switching Voltage: 200VDC / 200VAC
Max Switching Current: 1A

TECHNICAL FEATURES

Min insulation resistance: 10^9 Ohm
Typ. resonant frequency: 2000Hz
Working temperature: -30C to 90C

SPECIFICATIONS OF MATERIAL

Housing material: P.A.
Cable material: PVC / Cable section: 2x0.50mm²
Cable length: 850mm or 2000mm

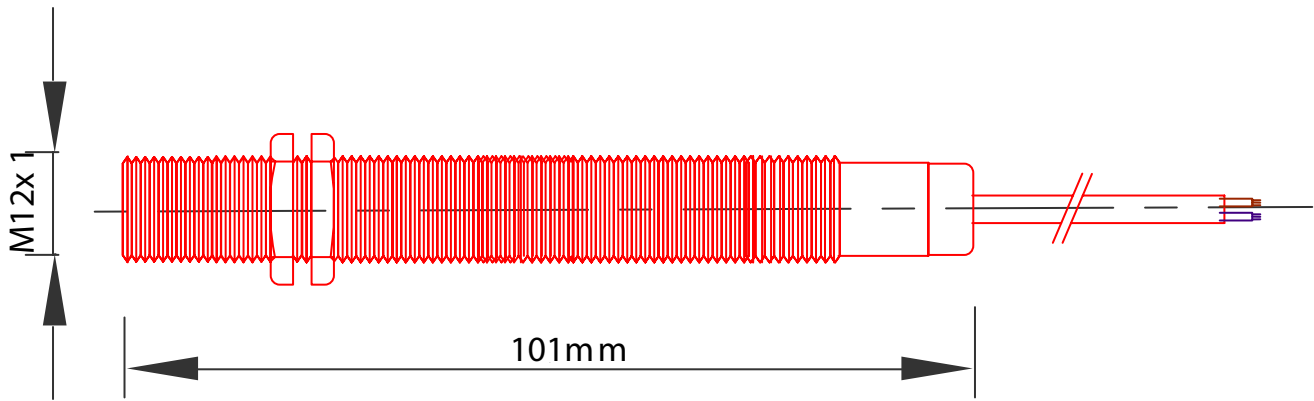
MS01 30 1A

DRAWINGS

ANALYSIS LTD



PROXIMITY MAGNETIC SWITCH MS01 30 1A (NORMALLY CLOSED)



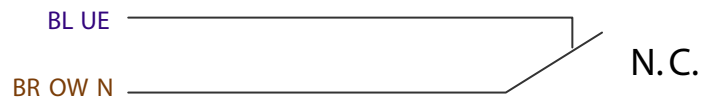
MS01 30 1A

ELECTRICAL CONNECTION

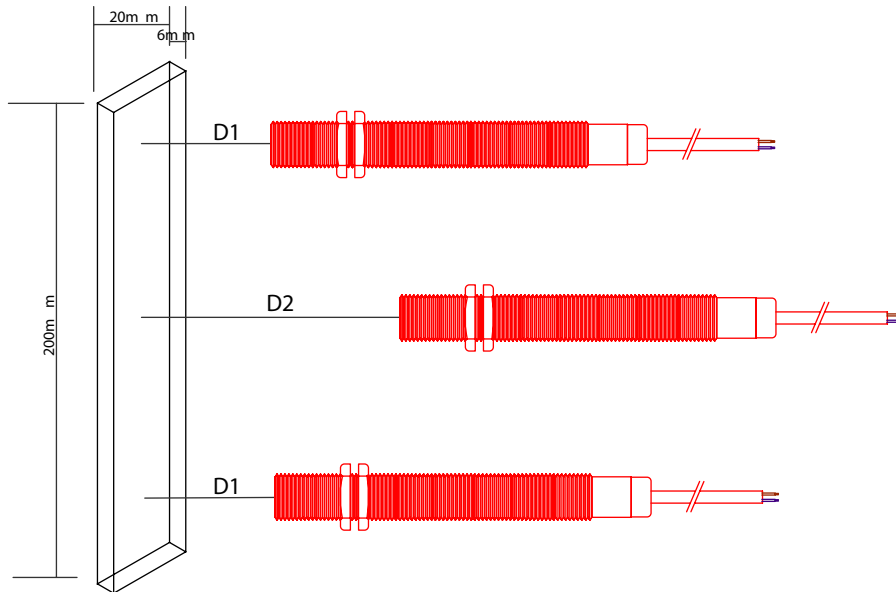
ANALYSIS LTD



NORMALLY CLOSED CONTACT



OPERATION DISTANCES OF MS01 30 1A N.C. FROM PLASTOFERITTE WITH DIMENSIONS 200x20x6mm



D1: from 9mm to 14mm
D2: from 19mm to 24mm

MS01 30 1A

ORDER CODE

ANALYSIS LTD



ORDER CODE FOR MS01 30 1A N.C.

PROXIMITY MAGNETIC SWITCH MS01 30 1A NC

LENGTH OF CABLE

850mm

2000mm

850

2000

ORDERING EXAMPLE: MS01 30 1A-850

Delta Velestino, 375 00 Magnesia, Greece tel. 0030 2425024248

www.analysis-ltd.com.gr

Version: MS01301A.1.19-02-17

Analysis Ltd can accept no responsibility for errors in datasheets, catalogues and other electronic or printed materials. Analysis Ltd reserves the right to change specifications without notice. All trademarks in this material are property of Analysis Ltd. Copyright© 2017 Analysis Ltd. All rights reserved.



Analysis Ltd applies a certified ISO: 9001 quality management system.

Certificate No: PIR6046243