

## APPLICATIONS

Accessories:

- Support rail TYPE: SR250 for magnetic switches
- Slide screw clamp TYPE SCD12 for magnetic switches



## TECHNICAL FEATURES

Working temperature: -30C to 90C



## SPECIFICATIONS OF MATERIAL

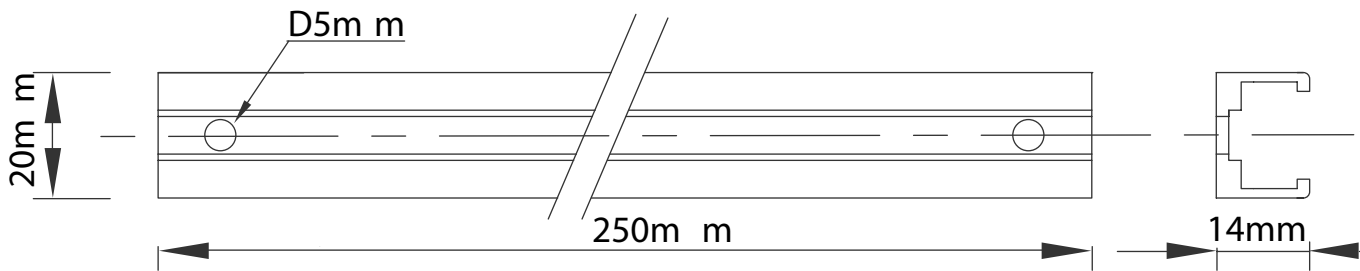
Housing material: P.A.



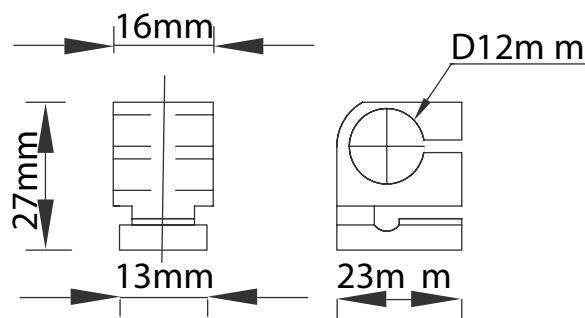


SUPPORT RAIL SR250 / SLIDE SCREW CLAMP SCD12

SUPPORT RAIL SR250



SLIDE SCREW CLAMP SCD12





ORDER CODE FOR ACCESSORIES

ACCESSORIES

SUPPORT RAIL SR250

SR250

SLIDE SCREW CLAMP SCD12

SCD12

ORDERING EXAMPLE: SR250

