



APPLICATIONS

Marine and Industrial applications
 Heavy duty / high heat resistance applications
 Heavy industry, Steel industry Cement Industry

FEATURES

Heavy duty temperature sensor with mineral insulated cable
 Stainless Steel AISI 310 tube
 Exchangable temperature sensor element

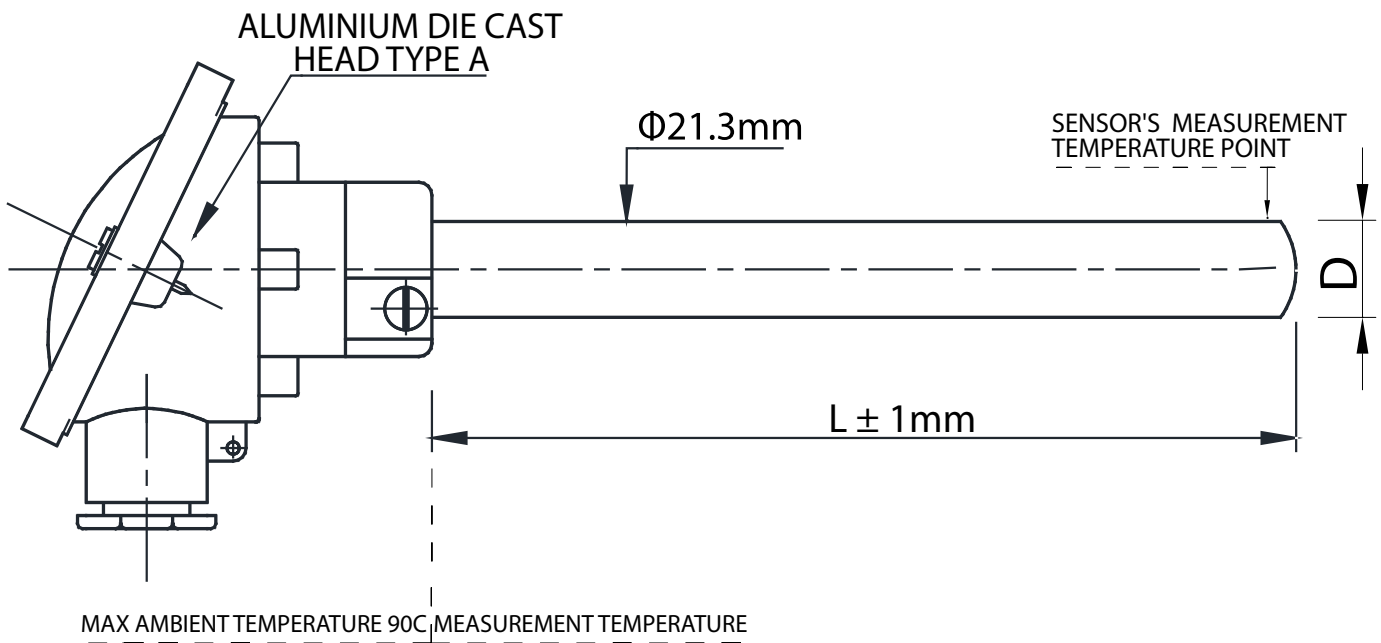
THERMOCOUPLE FEATURES

Reliable and accurate measurement with thermocouple
 Measuring temperature range 0C to 1200C for TYPE K , Single or double
 Max ambient temperature 80C



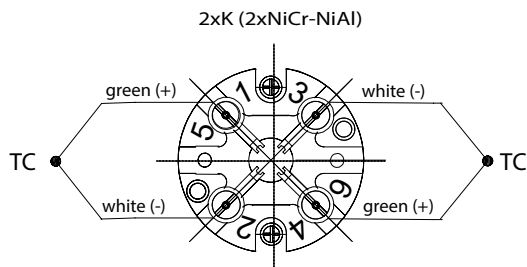
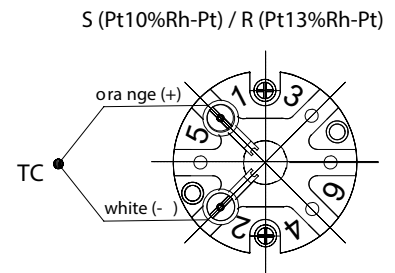
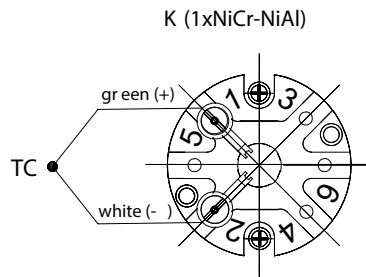
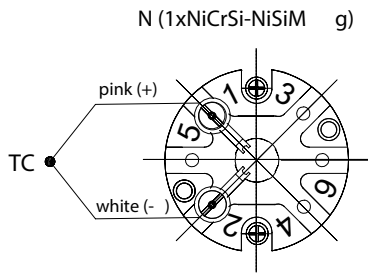


APA: Temperature sensor drawig





Thermocouple.



APA

ORDER CODE



ANALYSIS LTD

ORDER CODE FOR APA

ALUMINIUM DIE CAST

TYPE A	A				
TYPE B	B				

SENSOR ELEMENT: THERMOCOUPLE

1xTYPE K (NiCr-NiAl) Class 1 EN60584-2 (TEMP. RANGE 0...1200C)				K	
2xTYPE K (NiCr-NiAl) Class 1 EN60584-2 (TEMP. RANGE 0...1200C)				2xK	
1xTYPE N (NiCrSi-NiSiMg) Class 1 EN60584-1 (TEMP. RANGE 0...1200C)				N	
1xTYPE S (Pt10%Rh-Pt) Class 1 EN60584-1 (TEMP. RANGE 0...1600C)				S	
1xTYPE R (Pt13%Rh-Pt) Class 1 EN60584-1 (TEMP. RANGE 0...1600C)				R	

LENGTH L[mm ±2] ST-ST TUBE

From 200mm to 1500mm				---	
OTHER LENGTH L[mm]				XXX	

ST-ST TUBE MATERIAL

AISI304 (max temperature 850C)					304
AISI310 (max temperature 1150C)					310
OTHER ON REQUEST					XXX

DIAMETER D[mm] of ST-ST TUBE

12					12
15					15
16					16
21.3 (For AISI310)					21.3
22 (For AISI304)					22

ORDERING EXAMPLE: APA-A-K-1000-310-21.3

www.analysis-ltd.com.gr

Version: APA.1.7-22

Delta Velestino, 375 00 Magnesia, Greece tel. 0030 2425024248

Analysis Ltd can accept no responsibility for errors in datasheets, catalogues and other electronic or printed materials. Analysis Ltd reserves the right to change specifications without notice. All trademarks in this material are property of Analysis Ltd. Copyright© 2017 Analysis Ltd. All rights reserved.

