

APPLICATIONS

Marine and Industrial applications
Heavy duty / high heat resistance applications

FEATURES

Heavy duty temperature sensor with mineral insulated cable
Stainless Steel flexible tube
Tapered solid drilled stainless steel pocket
Metric male connector

THERMOCOUPLE FEATURES

Reliable and accurate measurement with thermocouple
Measuring temperature range 0C to 800C for TYPE K / J. Single or double
Max ambient temperature 80C



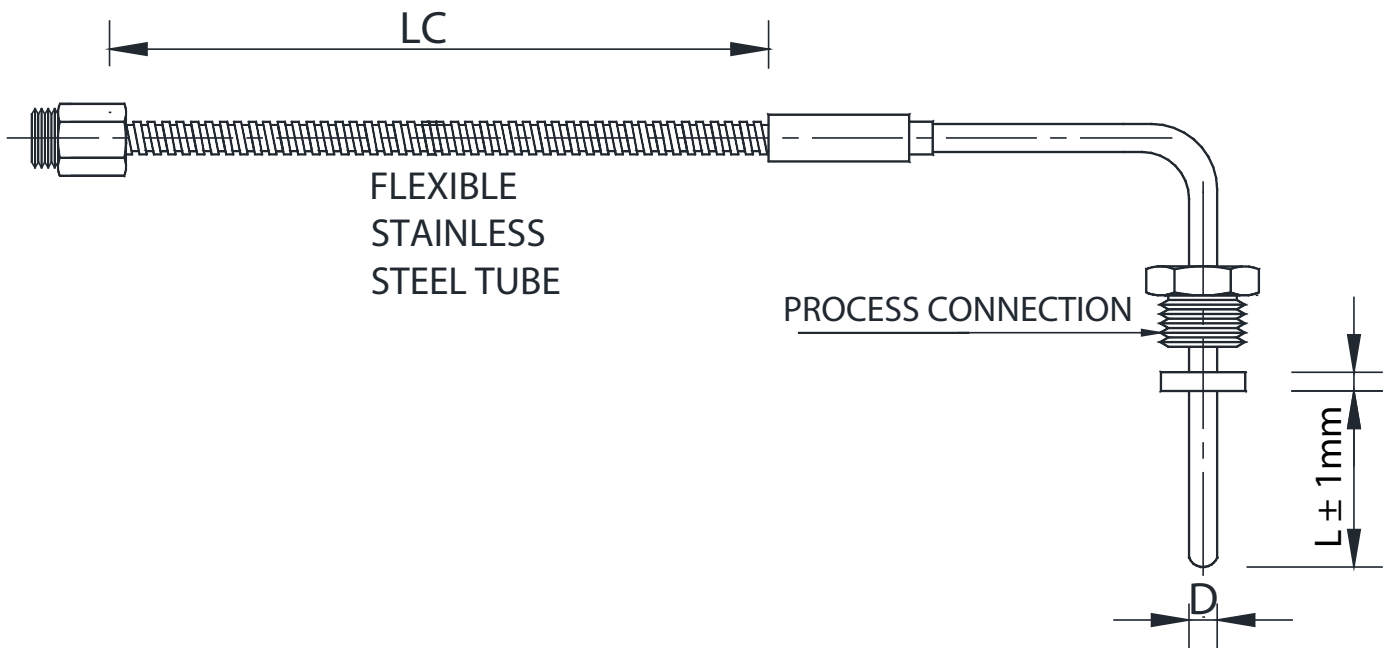
M61

DRAWINGS



ANALYSIS LTD

M61: Temperature sensor with st-st tube and metric connector



M61

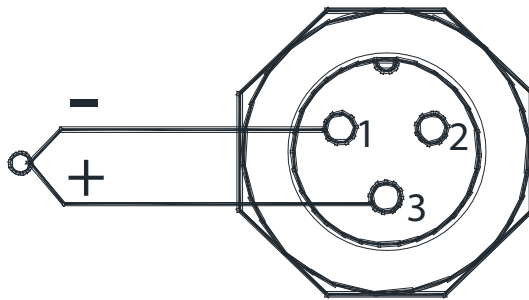
ELECTRICAL CONNECTION



ANALYSIS LTD

Thermocouple.

1xK (1xNiCr-NiAl) / 1xJ (1xFe-CuNi)



M61

ORDER CODE



ANALYSIS LTD

ORDER CODE FOR M61

SENSOR ELEMENT: THERMOCOUPLE

1xTYPE K (NiCr-NiAl) Class 1 EN60584-1	K			
2xTYPE K (NiCr-NiAl) Class 1 EN60584-1	2K			
1xTYPE J (Fe-CuNi) Class 1 EN60584-1	J			
2xTYPE J (Fe-CuNi) Class 1 EN60584-1	2J			

LENGTH L [mm ±1]

105mm		105		
OTHER LENGTH L ON REQUEST		XXX		

CABLE LENGTH LC[mm ±40]

From 500mm to 2000mm			---	
OTHER CABLE LENGTH LC[mm] ON REQUEST			XXX	

FREE MOVING PROCESS CONNECTION

M12x1				M12
G1/2"				G12
OTHER				XXX

ORDERING EXAMPLE: M61-K-105-2000-M12