

MTB50

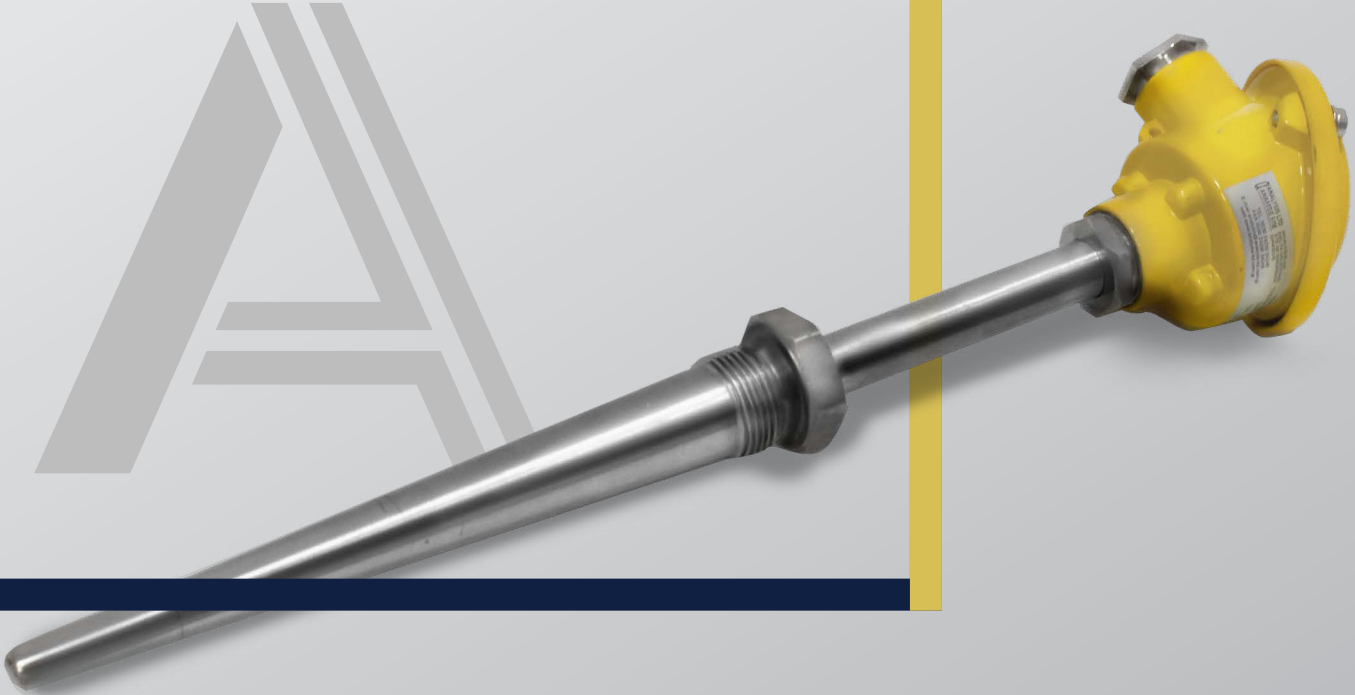


EAC

ANALYSIS LTD

[www.analysis-ltd.com.gr](http://www.analysis-ltd.com.gr)

# TEMPERATURE SENSOR



### APPLICATIONS

- Marine and Industrial applications
- Cooling water and refrigeration plants
- Oil lubrication and hydraulic oil
- Exhaust gas from diesel engines
- Internal combustion engines, compressors and turbines
- Compressors and turbines

### FEATURES

- Aluminium die cast head TYPE B or TYPE KS. IP 54 with Cable gland
- Electrical connection with ceramic block
- Available with exchangeable element. Easy exchange of measuring element even while the application is in operation
- Protection sheath material AISI304 or AISI316
- Protection sheath: tapered solid drilled
- Shock and Vibration Resistance 13.2-100Hz at 0.7g and 25-100Hz at 4.0g

### THERMORESISTANCE (RTD) FEATURES

- Reliable and accurate measurement with Thermoresistance (RTD) element
- Sensing element PT100 or PT1000 Class B DIN EN 60751
- Two, three or four wires electrical connection, single or double element
- Measuring temperature range -50C to 700C
- Max ambient temperature 90C

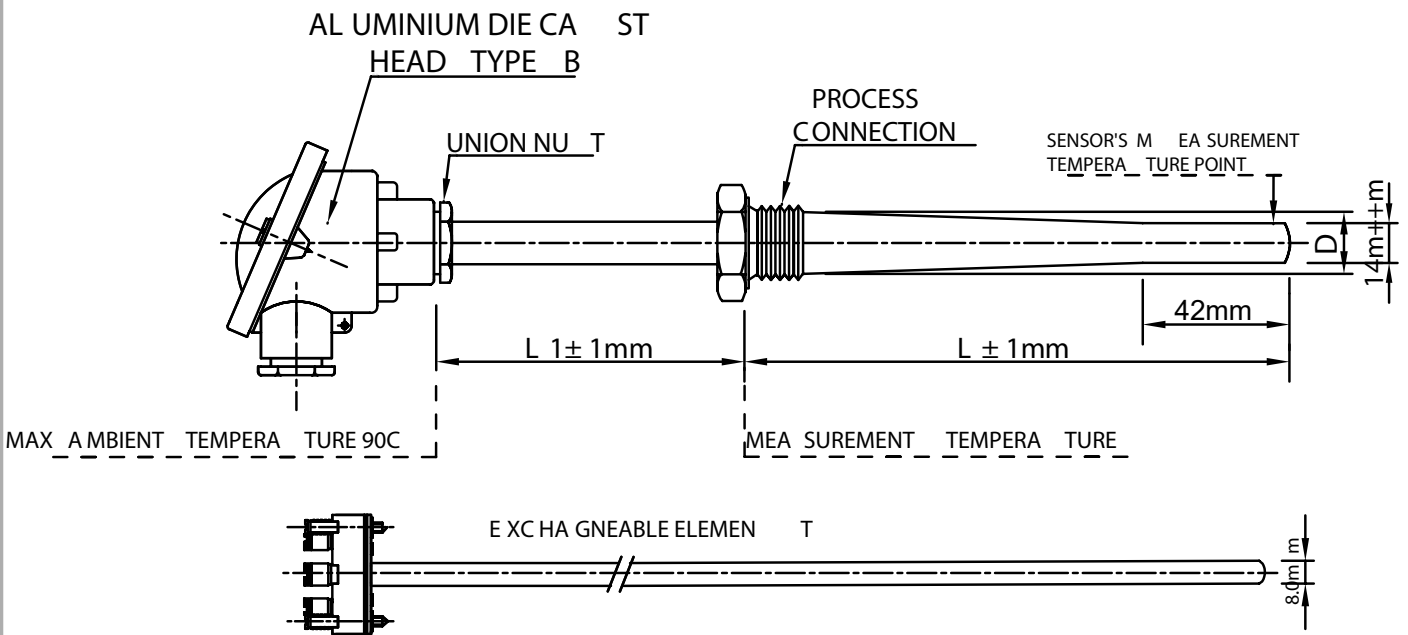
### THERMOCOUPLE FEATURES

- Reliable and accurate measurement with thermocouple element, single or double element
- Measuring temperature range 0C to 800C
- Max ambient temperature 90C



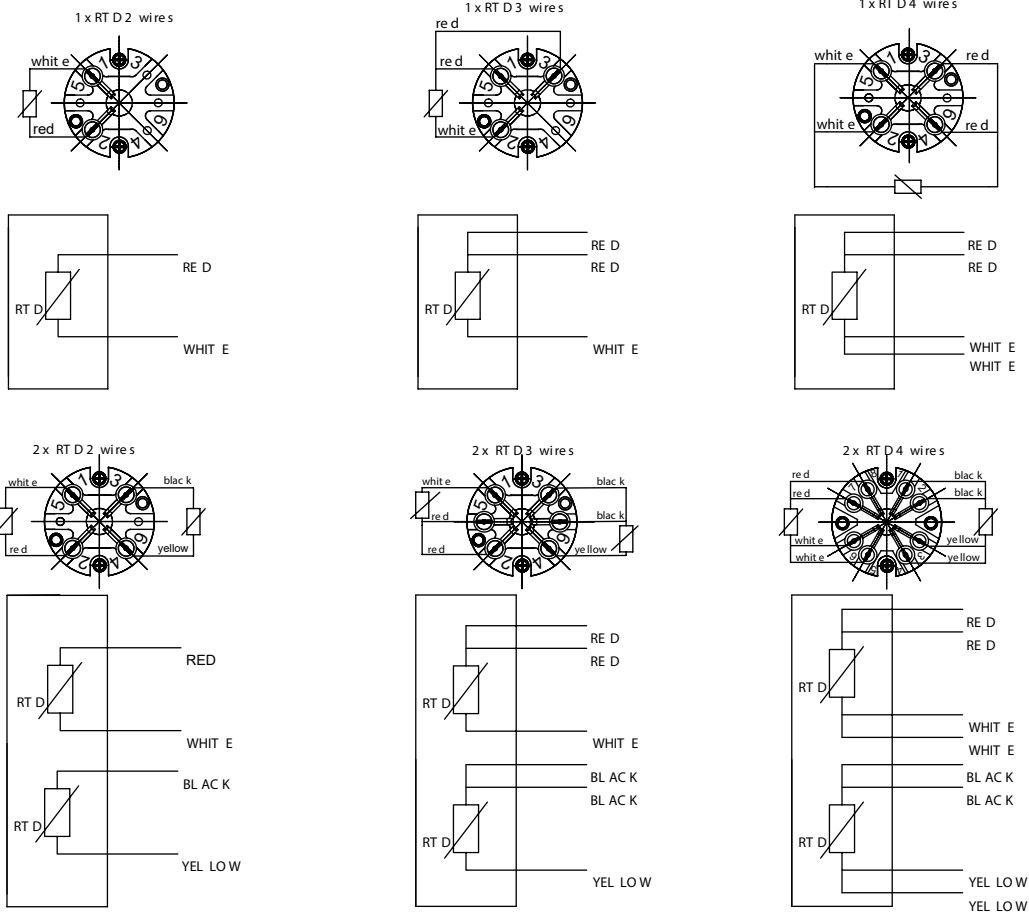


MTB50: Aluminium Die Cast Head TYPE B Tapered / Protection sheath solid drilled





### Thermoresistance (RTD). Color code according to DIN EN 60751



### Thermocouple. Color code according to EN 60584-1



# MTB50

## ORDER CODE



# ANALYSIS LTD

### ORDER CODE FOR MTB50

#### SENSOR ELEMENT: THERMORESISTANCE (RTD) OR THERMOCOUPLE

1xPT100 Class B - 2 Wires DIN EN 60751	1				
1xPT100 Class B - 3 Wires DIN EN 60751	2				
1xPT100 Class B - 4 Wires DIN EN 60751	3				
2xPT100 Class B - 4 Wires DIN EN 60751	4				
2xPT100 Class B - 6 Wires DIN EN 60751	5				
2xPT100 Class B - 8 Wires DIN EN 60751	6				
1xPT1000 Class B - 2 Wires DIN EN 60751	7				
1xPT1000 Class B - 3 Wires DIN EN 60751	8				
1xPT1000 Class B - 4 Wires DIN EN 60751	9				
2xPT1000 Class B - 4 Wires DIN EN 60751	10				
2xPT1000 Class B - 6 Wires DIN EN 60751	11				
2xPT1000 Class B - 8 Wires DIN EN 60751	12				
1xTYPE K (NiCr-NiAl) Class 1 EN60584-1	1K				
2xTYPE K (NiCr-NiAl) Class 1 EN60584-1	2K				

#### ELEMENT

EXCHANGEABLE ELEMENT		Y			
NO EXCHANGEABLE ELEMENT		N			

#### LENGTH L[mm ±1]

From 50mm to 250mm			---		
OTHER LENGTH L[mm] ON REQUEST			XXX		

#### LENGTH L1[mm ±1]

50mm				50	
100mm				100	
OTHER LENGTH L1[mm] ON REQUEST				XXX	

#### PROTECTION SHEATH MATERIAL

AISI 304					4
AISI 316					6

#### PROCESS CONNECTION

G1/2" [D: 18mm]					G12
G3/4" [D: 23mm]					G34
OTHER PROCESS CONNECTION ON REQUEST					XXX

ORDERING EXAMPLE: MTB50-2-Y-100-50-4-G34