



### APPLICATIONS

- Marine and Industrial applications
- Cooling water and refrigeration plants
- Oil lubrication and hydraulic oil
- Exhaust gas from diesel engines
- Internal combustion engines, compressors and turbines
- Compressors and turbines

### FEATURES

- Aluminium die cast head TYPE B
- Electrical connection with ceramic block
- Protection sheath material AISI304 or AISI316 with a wide range of diameters

### THERMORESISTANCE (RTD) FEATURES

- Reliable and accurate measurement with Thermoresistance (RTD) element
- Sensing element PT100 or PT1000 Class B DIN EN 60751
- Two, three or four wires electrical connection, single or double element
- Measuring temperature range -50C to 200C
- Measuring temperature range -50C to 700C
- Max ambient temperature 90C

### THERMOCOUPLE FEATURES

- Reliable and accurate measurement with thermocouple element, single or double element
- Measuring temperature range 0C to 800C
- Max ambient temperature 90C



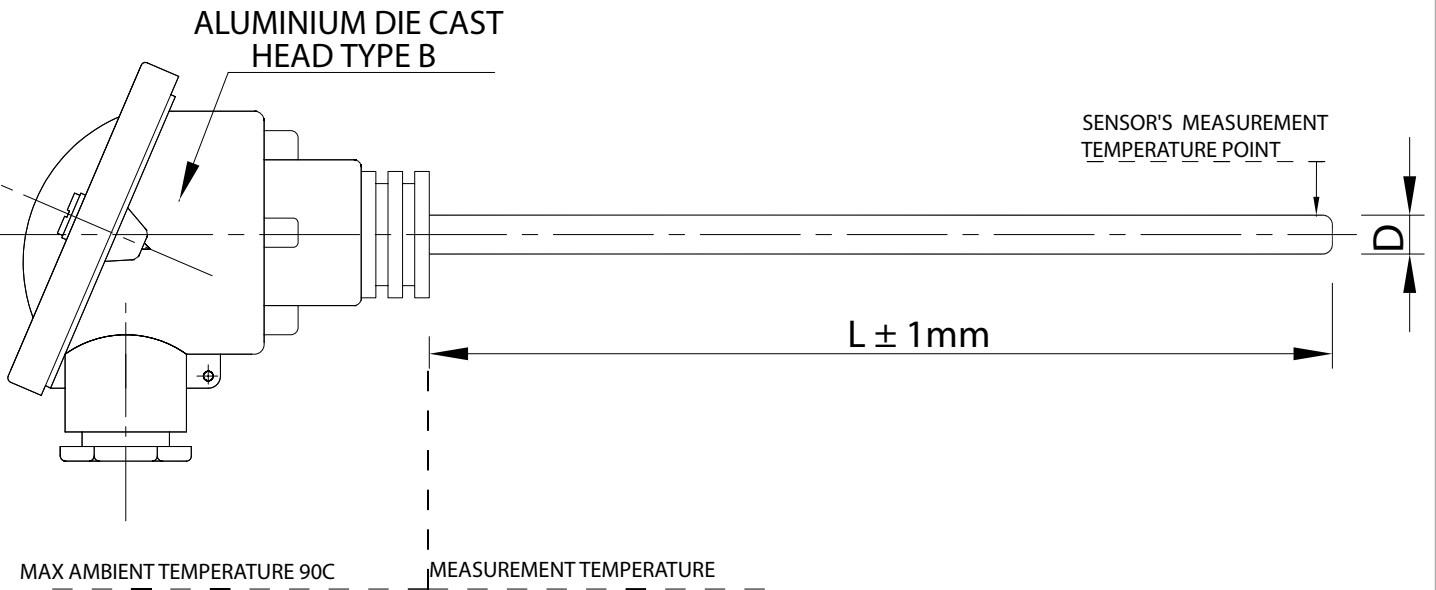
NM54

DRAWINGS



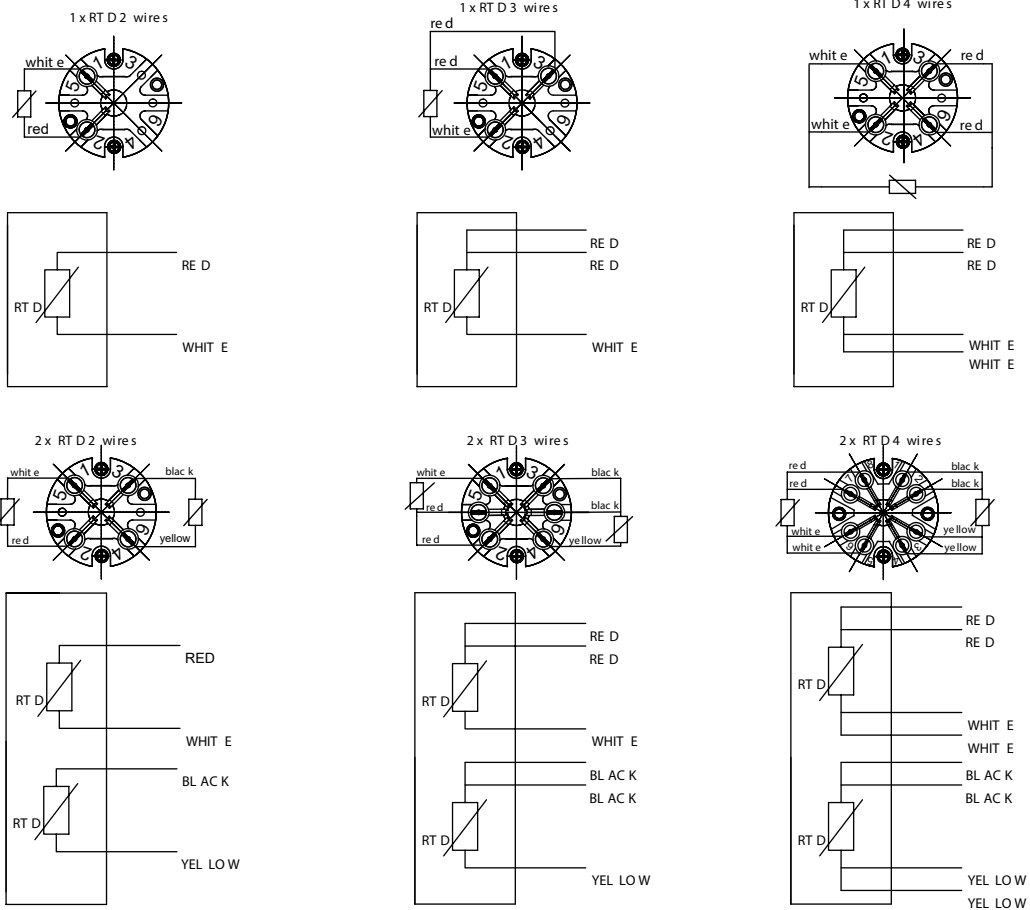
ANALYSIS LTD

NM54: Aluminium Die Cast Head TYPE B





### Thermoresistance (RTD). Color code according to DIN EN 60751



### Thermocouple. Color code according to EN 60584-1



# NM54

## ORDER CODE



# ANALYSIS LTD

### ORDER CODE FOR NM54

#### SENSOR ELEMENT: THERMORESISTANCE (RTD) OR THERMOCOUPLE

1xPT100 Class B - 2 Wires DIN EN 60751	1				
1xPT100 Class B - 3 Wires DIN EN 60751	2				
1xPT100 Class B - 4 Wires DIN EN 60751	3				
2xPT100 Class B - 4 Wires DIN EN 60751	4				
2xPT100 Class B - 6 Wires DIN EN 60751	5				
2xPT100 Class B - 8 Wires DIN EN 60751	6				
1xPT1000 Class B - 2 Wires DIN EN 60751	7				
1xPT1000 Class B - 3 Wires DIN EN 60751	8				
1xPT1000 Class B - 4 Wires DIN EN 60751	9				
2xPT1000 Class B - 4 Wires DIN EN 60751	10				
2xPT1000 Class B - 6 Wires DIN EN 60751	11				
2xPT1000 Class B - 8 Wires DIN EN 60751	12				
1xTYPE K (NiCr-NiAl) Class 1 EN60584-1	1K				
2xTYPE K (NiCr-NiAl) Class 1 EN60584-1	2k				

#### TEMPERATURE RANGE

-50C to 200C (element sensor RTD)		RL			
-50C to 700C (element sensor RTD)		RH			
0C to 800C (element sensor Thermocouple)		T			

#### LENGTH L[mm ±1]

From 50mm to 250mm				---	
OTHER LENGTH L[mm] ON REQUEST				XXX	

#### PROTECTION SHEATH MATERIAL

AISI 304					4
AISI 316					6

#### DIAMETER D[mm]

9.5					9.5
10					10
OTHER DIAMETER D[mm] ON REQUEST					XXX

ORDERING EXAMPLE: NM54-2-RL-100-6-9.5