

APPLICATIONS

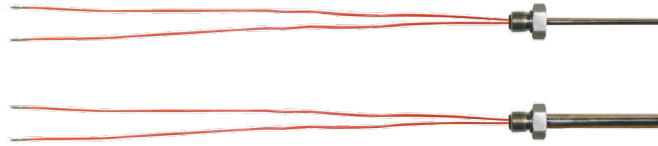
- Marine and Industrial applications
- Cooling water and refrigeration plants
- Oil lubrication and hydraulic oil

FEATURES

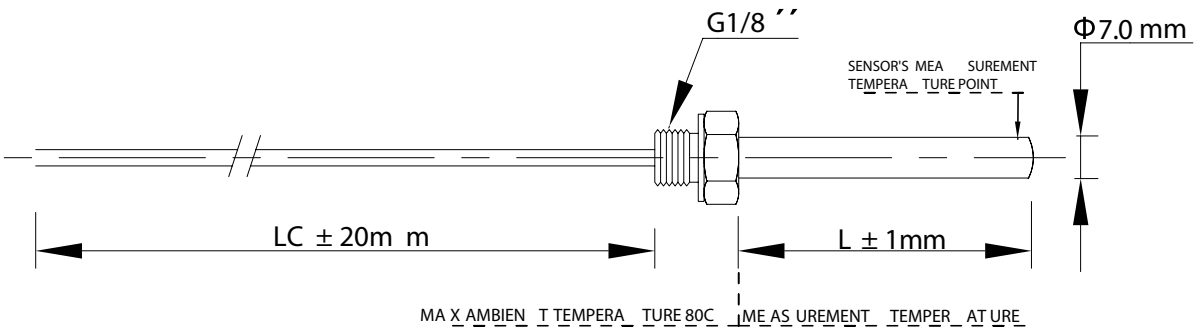
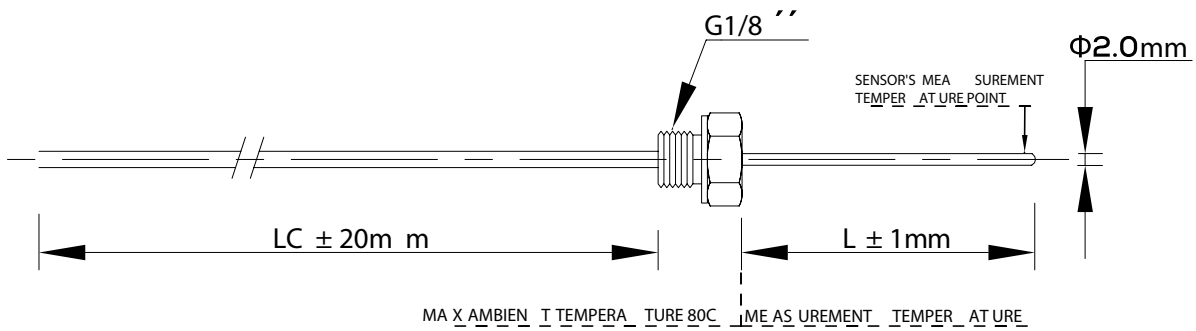
- Reliable and accurate measurement with thermoresistance (RTD)
- Temperature sensor with thread G1/8"

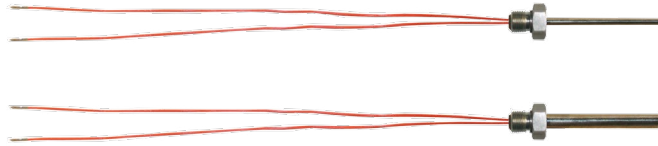
THERMORESISTANCE (RTD) FEATURES

- Sensing element PT100 Class B DIN EN 60751
- Two wires electrical connection
- Measuring temperature range -50C to 200C
- Max ambient temperature 80C



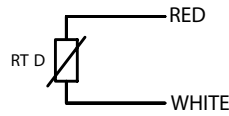
WS: Temperature sensor with thread G1/8"





Thermoresistance. Cable Color code according to DIN EN 60751

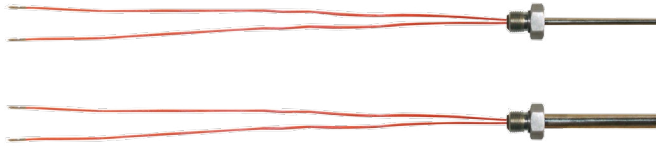
1 x RTD 2 wires



**WS**

**ORDER CODE**

**ANALYSIS LTD**



**ORDER CODE FOR WS**

**SENSOR ELEMENT: THERMORESISTANCE (RTD)**

1xPT100 Class B - 2 Wires DIN EN 60751

1

**DIAMETER D[mm]**

2.0 mm

2

7.0 mm

7

**LENGTH L [mm ±1]**

From 50mm to 200mm

---

OTHER LENGTH L[mm] ON REQUEST

XXX

**CABLE LENGTH LC[mm ±20]**

From 100mm to 1000mm

---

OTHER CABLE LENGTH LC[mm] ON REQUEST

XXX

**CABLE MATERIAL**

PTFE (-60C to 260C)

P

- OTHER CABLE MATERIAL ON REQUEST

XXX

**ORDERING EXAMPLE:** WS-1-2-50-200-P

Delta Velestino, 375 00 Magnesia, Greece tel. 0030 2425024248

[www.analysis-ltd.com.gr](http://www.analysis-ltd.com.gr)

Version: WS.1.19-02-17

Analysis Ltd can accept no responsibility for errors in datasheets, catalogues and other electronic or printed materials. Analysis Ltd reserves the right to change specifications without notice. All trademarks in this material are property of Analysis Ltd. Copyright© 2017 Analysis Ltd. All rights reserved.



Certificate No: PIR6046243

Analysis Ltd applies a certified ISO: 9001 quality management system.