

PRTH



ANALYSIS LTD

[www.analysis-ltd.com.gr](http://www.analysis-ltd.com.gr)

# TEMPERATURE SENSOR





## APPLICATIONS

- Marine and Industrial applications
- Cooling water and refrigeration plants
- Oil lubrication and hydraulic oil
- Exhaust gas from diesel engines
- Internal combustion engines, compressors and turbines
- Compressors and turbines

## FEATURES

- Aluminium die cast head TYPE B or TYPE KS. IP 54 with Cable gland
- Electrical connection with ceramic block
- Available with exchangeable element. Easy exchange of measuring element even while the application is in operation
- Protection sheath material AISI304 or AISI316 with a wide range of diameters
- Shock and Vibration Resistance 13.2-100Hz at 0.7g and 25-100Hz at 4.0g

## THERMORESISTANCE (RTD) FEATURES

- Reliable and accurate measurement with Thermoresistance (RTD) element
- Sensing element PT100 or PT1000 Class B DIN EN 60751
- Two, three or four wires electrical connection, single or double element
- Measuring temperature range -50C to 200C
- Measuring temperature range -50C to 700C
- Max ambient temperature 90C

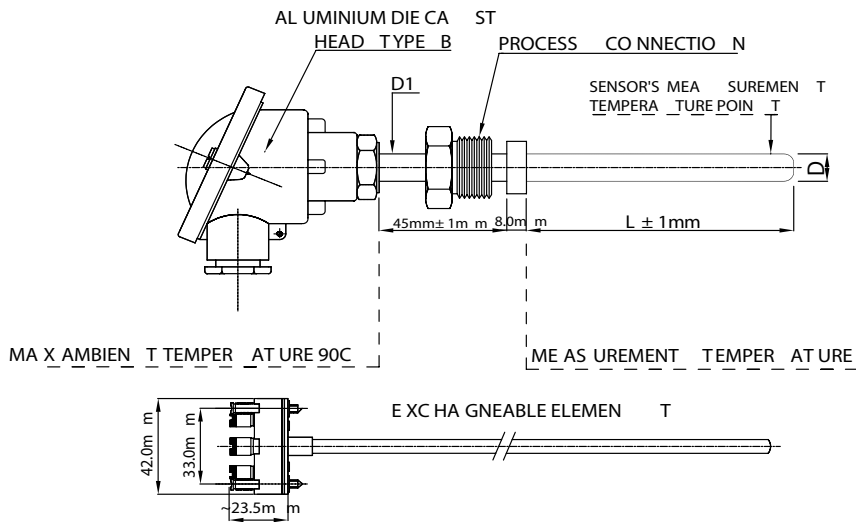
## THERMOCOUPLE FEATURES

- Reliable and accurate measurement with thermocouple element, single or double element
- Measuring temperature range 0C to 800C
- Max ambient temperature 90C

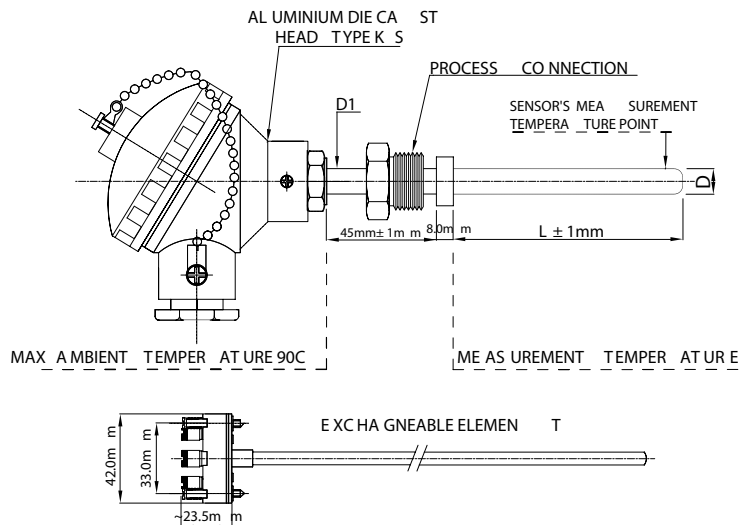




### PRTH-B: Aluminium Die Cast Head TYPE B

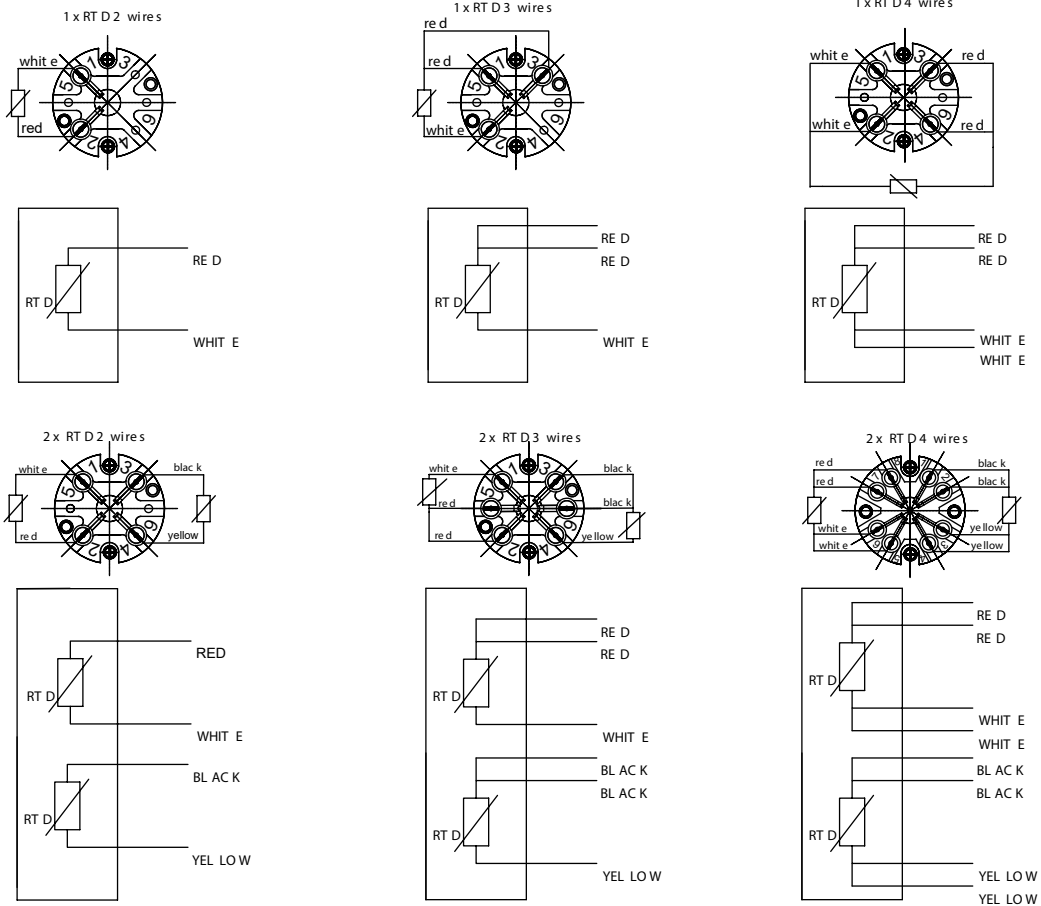


### PRTH-KS: Aluminium Die Cast Head TYPE KS





### Thermoresistance (RTD). Color code according to DIN EN 60751



### Thermocouple. Color code according to EN 60584-1



