

BM158



ANALYSIS LTD

www.analysis-ltd.com.gr

TEMPERATURE SENSOR



Version: MB158.1.1.19-02-17

APPLICATIONS

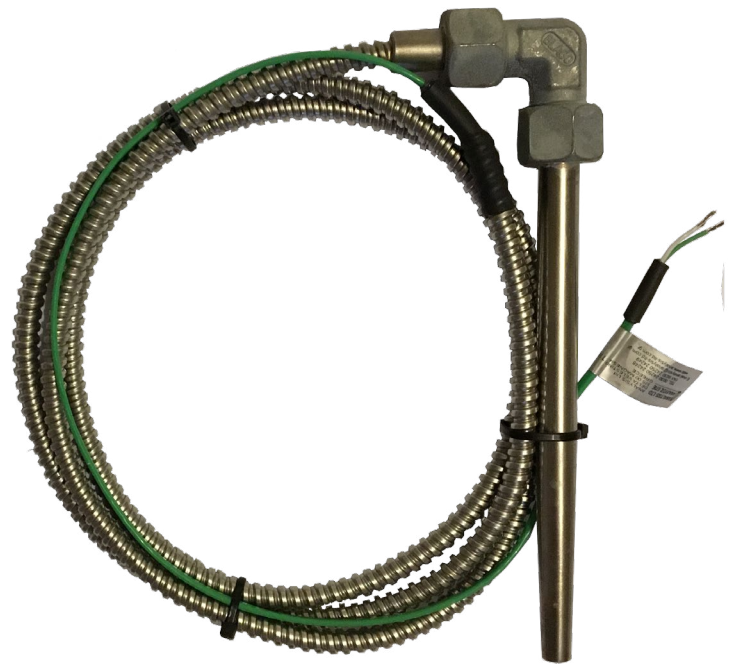
Marine and Industrial applications
Compressors and turbines
Exhaust gas from diesel engines
Power Stations
Internal combustion engines, compressors and turbines

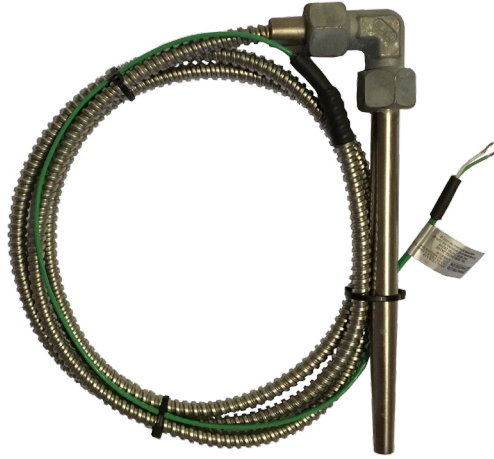
FEATURES

Electrical connection with cable
Heavy duty temperature sensor angular with protective flexible steel tube
Protection sheath material AISI304 or AISI316 with a wide range of diameters
Protection sheath: tube / Solid drilled or tapered solid drilled
Shock and Vibration Resistance 13.2-100Hz at 0.7g and 25-100Hz at 4.0g

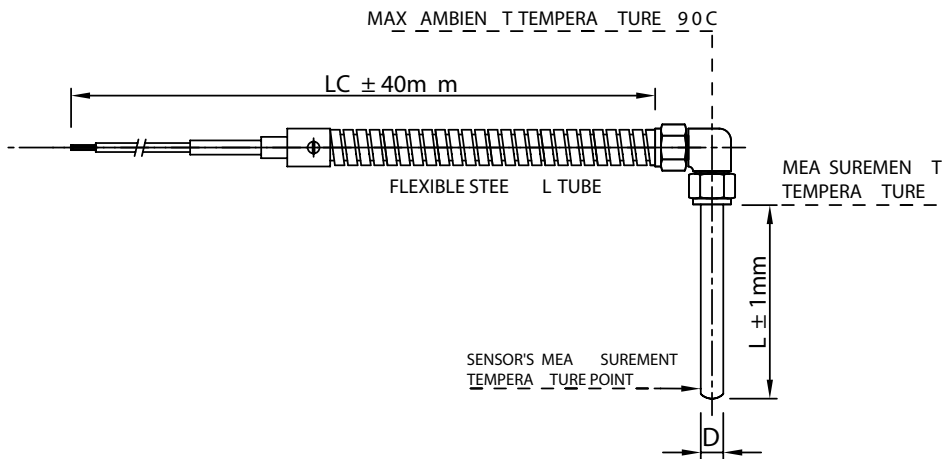
THERMOCOUPLE FEATURES

Reliable and accurate measurement with thermocouple element, single or double element
Measuring temperature range 0C to 800C
Max ambient temperature 90C

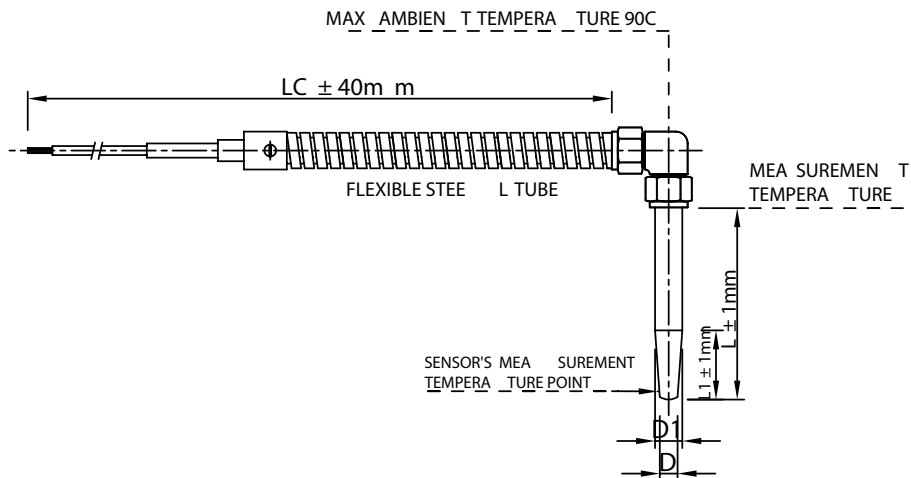


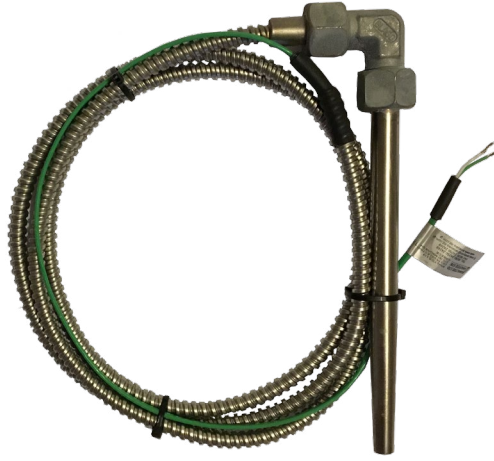


BM158-1: Angular with protective steel flexible tube



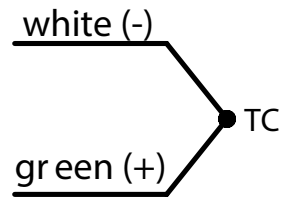
BM158-2: Angular with protective steel flexible tube. Tapered / Protection sheath solid driller



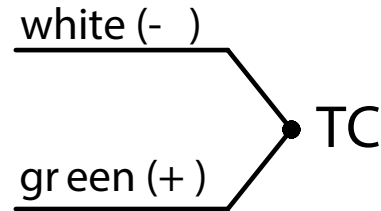
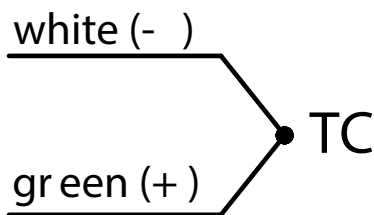


Thermocouple. Cable Color code according to EN 60584-1

1xK (1xNiCr-NiAl)

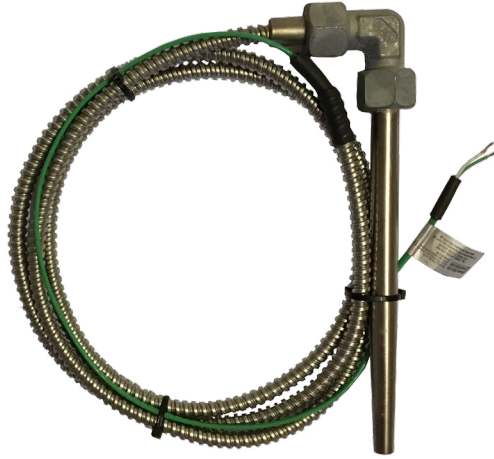


2xK (2xNiCr-NiAl)



BM158

ORDER CODE



ANALYSIS LTD

ORDER CODE FOR BM158

PROTECTION SHEATH:

TUBE: BM158-1	1
TAPERED SOLID DRILLED (for $D \geq 12\text{mm}$): BM158-2	2

SENSOR ELEMENT THERMOCOUPLE

1xTYPE K (NiCr-NiAl) Class 1 EN60584-1	1K
2xTYPE K (NiCr-NiAl) Class 1 EN60584-1	2K

LENGTH L [mm ±1]

From 50mm to 250mm	---
OTHER LENGTH L[mm] ON REQUEST	XXX

LENGTH L1 [mm ±1] FOR TAPERED:

0 (FOR NOT TAPERED)	0
40	40
OTHER LENGTH L1[mm] ON REQUEST	XXX

PROTECTION SHEATH MATERIAL

AISI 304	4
AISI 316	6

DIAMETER D[mm]

6	6
8	8
9.5	9.5
10	10
12	12

DIAMETER D/D1[mm] FOR TAPERED

9/12	912
OTHER D/D1[mm] ON REQUEST	XXX

CABLE LENGTH LC[mm ±40]

From 500mm to 10.000mm	---
OTHER CABLE LENGTH LC[mm] ON REQUEST	XXX

ORDERING EXAMPLE: BM158-1-1K-200-0-4-9.5-5